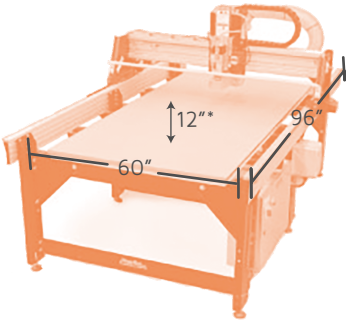


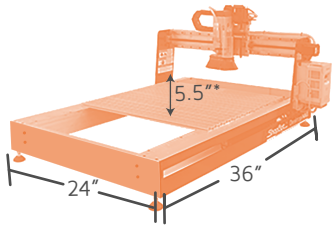
JOHNSON CNC

MANUFACTURING CAPABILITIES



CNC Routing (Large)
60" x 96" x 12"

CNC Routing (Small)
24" x 36" x 5.5"



Machinable Materials

- Non-ferrous Metals
- Plastics & Rubber
- Wood
- Foam

Please contact us with questions regarding specific parts greater than 9" in height

*Cutter length will subtract from total z-travel

CONTACT US TODAY
FOR A QUOTE

(989) 506-4814

101 Caroline Lane
Summerville, SC 29483

marsha@johnson-cnc.com
www.johnson-cnc.com

 /WeCNC